

ECO-DF-BF Series

ECONOMY MODEL

OUTDOOR PEDESTAL MOUNT DRINKING FOUNTAIN WITH BOTTLE FILLER

STANDARD FEATURES

- Hand Operation is Standard
- Optional Foot Button for Dual Hand/Foot Control
- All Stainless Steel Construction
- Bottle Filler Meets ADA Side Reach Requirements
- Stainless Steel Construction
- Laminar Flow Bottle Filler spout
- 100 Mesh Inlet Strainer

SUGGESTED SPECIFICATIONS

Model ECO-DF-BF Drinking Fountain and Bottle Filler shall be pushbutton operated requiring less than 5 pounds of force to activate an internally mounted self closing valve. (Foot Button for dual operation is optionally available.) Bottle Filler shall include Laminar Flow Spout with an Adjustable Stream Regulator to control the water flow. Drinking Fountain shall include Stainless Steel Drinking Bubbler and Drain Grate. Housing and Pedestal shall be 18 gauge type 304 stainless steel with all exposed surfaces polished to a #4 satin finish. Pedestal base shall include concealed bolt holes for securing unit to floor. Bottle Filler and Drinking Fountain shall include Drain Grate with 7/8" O.D. flexible waste hose for trench drain waste (below grade). Provide stainless steel Access Panels to service and install unit with vandal-resistant, stainless steel fasteners. Side Access Panel shall include a Cylinder Lock vandal resistance and ease of removal. Unit shall contain a 100 mesh inlet strainer. Unit shall be certified to meet NSF/ANSI 61, Section 9, Public Law 111-380 (No-Lead) and CHSC 116875. Standard Pushbutton operated Bottle Filler shall meet ADA side reach requirements when located appropriately.



Model ECO-DF-BF

Model ECO-DF-BF-F

MODEL:

(Must Specify)

- ECO-DF-BF Pushbutton Operated Drinking Fountain and Bottle Filler (Standard)
- ECO-DF-BF-F Foot Button Operated Drinking Fountain and Bottle Filler (In addition to Pushbutton Operation)
- ECO-DF-BF-CH33 Child Height Pushbutton Operated Drinking Fountain and Bottle Filler
- ECO-DF-BF-CH33-F Child Height Foot Button Operated Drinking Fountain and Bottle Filler (In addition to Pushbutton Operation)

OPTIONAL ACCESSORIES

(additional costs may be incurred)

- EG Enviro-Glaze[®]
Color: _____
Refer to link for color selections
<https://www.murdockmfg.com/enviro-glaze>
- WF1 1500-Gallon Capacity, NSF 42+53, 1-Micron Lead Reduction Filter
- WF3 3000-Gallon Capacity, NSF 42+53, 1-Micron Lead Reduction Filter

Complies with the following:



Member of
U.S. Green
Building
Council



Recyclable
Product



Water
Conserving
Product

⚠ WARNING: Cancer and Reproductive Harm - www.P65Warnings.ca.gov

MURDOCK MFG. • 15125 Proctor Avenue • City of Industry, CA 91746 USA
Phone 800-453-7465 or 626-333-2543 • Fax 626-855-4860 • www.murdockmfg.com

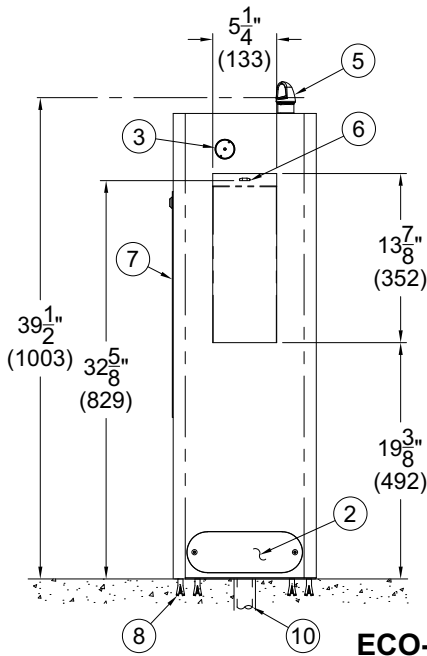
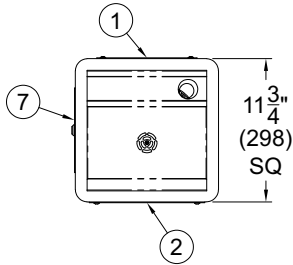
Member of
MORRIS GROUP
INTERNATIONAL

ECO-DF-BF Series

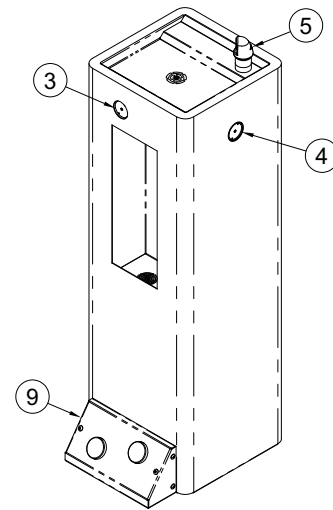
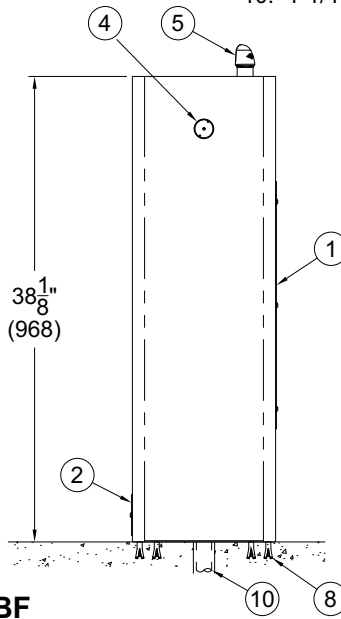
**ECONOMY MODEL
OUTDOOR PEDESTAL DRINKING
FOUNTAIN WITH BOTTLE FILLER**

NOTES:

1. REAR ACCESS PANEL
2. BOTTOM ACCESS PANEL
3. BOTTLE FILLER PUSHBUTTON
4. DRINKING FOUNTAIN PUSHBUTTON
5. DRINKING BUBBLER
6. BOTTLE FILLER NOZZLE
7. SIDE ACCESS PANEL WITH CYLINDER LOCK
8. INSTALLER PROVIDED FLOOR ANCHORS AND ANCHORING HARDWARE
9. OPTIONAL -F FOOT OPERATED BUTTON ASSEMBLY
10. 1-1/4" O.D. WASTE TUBE, BY OTHERS



ECO-DF-BF



ECO-DF-BF-F

GENERAL NOTES:

1. ALL DIMENSIONS ARE IN INCHES (MM)
2. SUPPLY STOP VALVE NOT PROVIDED

* Valve specifications:
Minimum/Maximum Pressure
30 to 100 psi.

Murdock Mfg.™ warrants that its products are free from defects in material or workmanship under normal use and service for a period of one year from date of shipment. Murdock's liability under this warranty shall be discharged solely by replacement or repair of defective material, provided Murdock™ is notified in writing within one year from date of shipment, F.O.B. Industry, California.

SELECTION SUMMARY & APPROVAL FOR MANUFACTURING	Model Number & Options _____	Quantity _____
	Company _____	
	Contact _____ Title _____	
	Signature (Approval for Manufacturing) _____	
	Date _____	

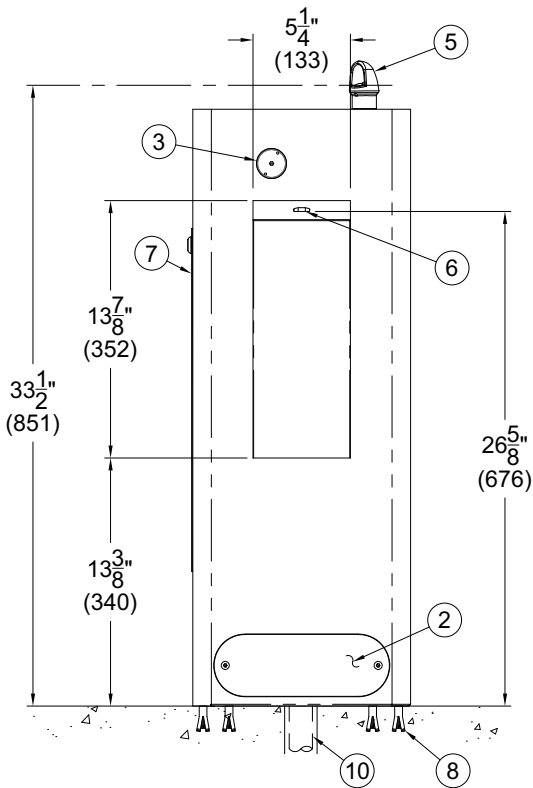
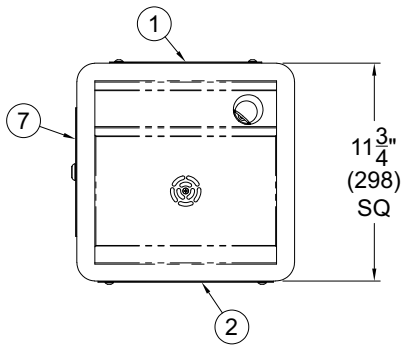
All dimensions are subject to manufactures tolerance of plus or minus 1/2" nominal and subject to change without notice. Murdock assumes no responsibility for use of void or superseded data. Dimensions may change with the addition of optional accessories. Murdock Mfg.™, Member of Morris Group International™. Please visit www.murdockmfg.com for most current specifications.

ECO-DF-BF-CH33 Series

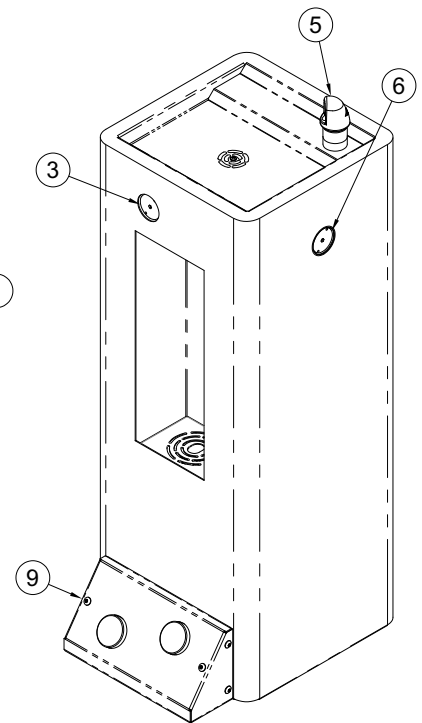
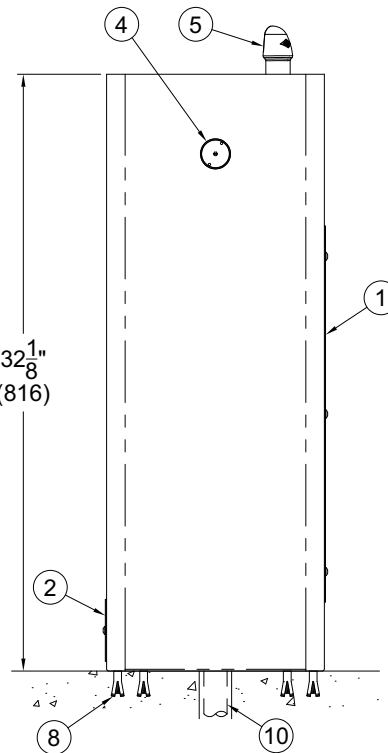
ECONOMY MODEL
OUTDOOR PEDESTAL DRINKING
FOUNTAIN WITH BOTTLE FILLER

NOTES:

1. REAR ACCESS PANEL
2. BOTTOM ACCESS PANEL
3. BOTTLE FILLER PUSHBUTTON
4. DRINKING FOUNTAIN PUSHBUTTON
5. DRINKING BUBBLER
6. BOTTLE FILLER NOZZLE
7. SIDE ACCESS PANEL WITH CYLINDER LOCK
8. INSTALLER PROVIDED FLOOR ANCHORS AND ANCHORING HARDWARE
9. OPTIONAL -F FOOT OPERATED BUTTON ASSEMBLY
10. 1-1/4" O.D. WASTE TUBE, BY OTHERS



ECO-DF-BF-CH33



ECO-DF-BF-CH33-F

GENERAL NOTES:

1. ALL DIMENSIONS ARE IN INCHES (MM)
2. SUPPLY STOP VALVE NOT PROVIDED

* Valve specifications:
Minimum/Maximum Pressure
30 to 100 psi.